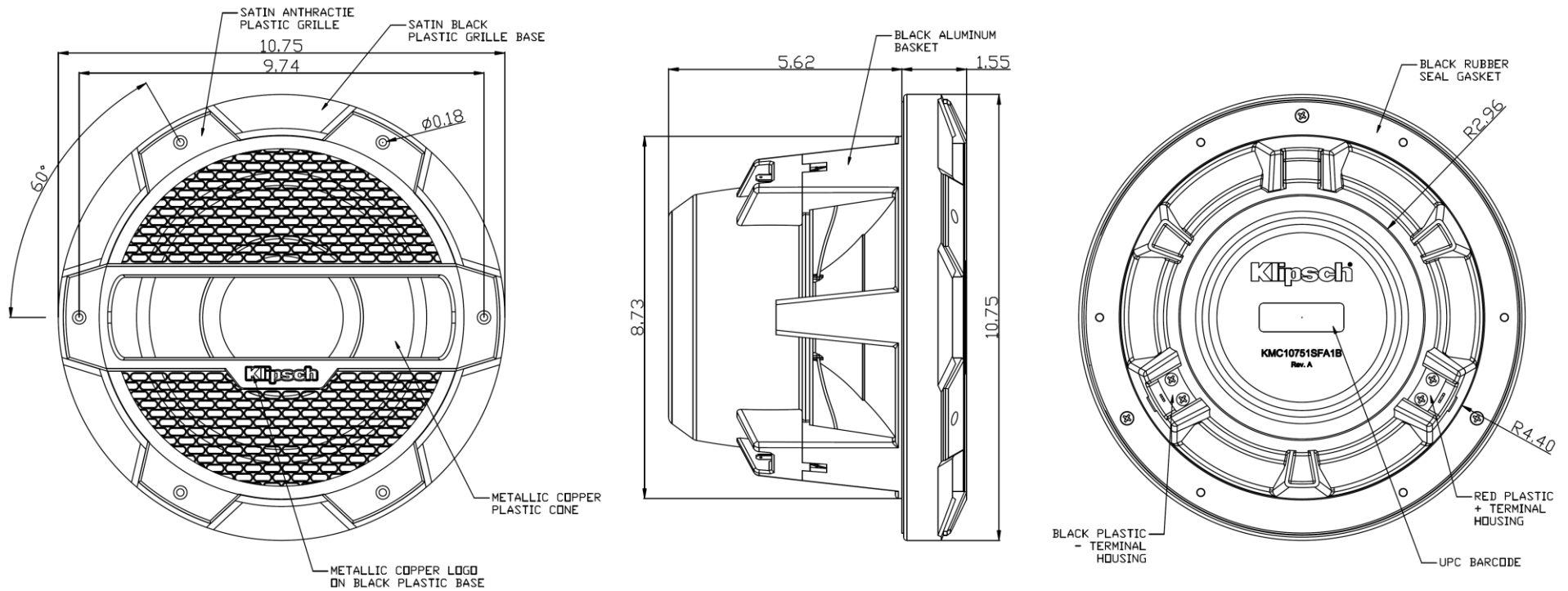


EXHIBIT B
KMC10751SFA1B 10.75" KLIPSCH MARINE SUBWOOFER



FEATURES:

- Infinite Baffle Design
- Cast Aluminum Basket
- High Temp Voice coil
- 2 Color Grille (Satin Black with Antracite)
- Copper Cone
- Insulated Tinsel Leads

Specifications:

General Specifications:

Woofers Size	10.75"	
Woofers Material	Mica + Poly-propolene	
Surround Material	Santoprene	
Voice Coil Size	2"	
Magnet Weight	71 oz	
Mounting Depth	5.62"	
Hole Size	8.75"	
Impedance	4 Ω	
Temperature Range	-30°C - 70°C	-22°F - 158°F
Max RH	100%	
Terminal Size	Positive - 0.248"	Negative - 0.189"

Performance Specifications:

Frequency Response	45Hz - 2KHz
RMS Power	350 W
Max Power	700 W
SPL @ 1 W/ 1 M	87 dB
Resonant Frequency	45 Hz
Xmax	0.512"